

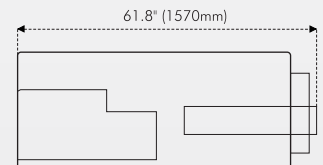
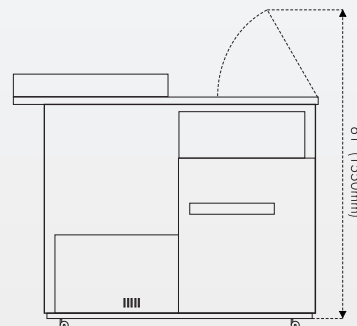
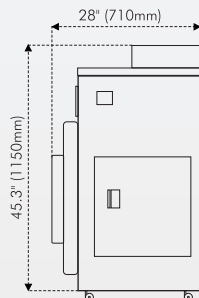


digital minilab
after conversion

CPDM 812F* for SFA 232/238

Exposure System	<i>digital</i> CONTACT PRINTING™
Lens	No lens
Light Source	Custom LED structure
Resolution	348 dpi constant for each format
Paper Width	3½" - 8" (89 - 210mm) roll paper
Cut Sheet size	Maximum 8" x 12" (210 x 304mm)
Paper Loading	Auto loading
Paper Magazine	Single paper magazine
Paper Advance	Single page cutting and printing
Back Printer	50 characters - single line
Morning Setup	Automatic with built-in densitometer
Operation System	Windows® XP Professional
User Software	lbnSender - user interface for graphic station
Control Software	lbnLab - internal minilab control functionalities
ICC Profiling	Compatible
Monitor	LCD 17"
Graphic Station	Integrated for compact minilab, and/or external
Media Readers	DVD-RW/CF/SD/XD/SM/MS/Floppy
Scanner	Pakon F335, F235Plus, F135, or F135Plus
Processing Chemicals	CP-47L or RA-4
Processing Capacity	650 prints/hour 3½" x 5" (89 x 127mm) 500 prints/hour 4" x 6" (102 x 152mm) 260 prints/hour 8" x 10" (210 x 254mm)
Processing Time	3'40"
Tank Capacity	CD10 liters, BF 10 liters, STB. 4x2,5 liters
Dimensions	61.8" x 28" x 45.3" (LxWxH) 1570 x 710 x 1150 mm (LxWxH)
Weight	330kg (727lbs) without chemical
Power Requirements	AC 200-240 V, 3,8 kVA, 10% 50-60Hz

*CPDM 812F consists of LCD Imaging Module, LED Light Source, PCB Control Boards and Software



Specifications subject to change without notice.